

4

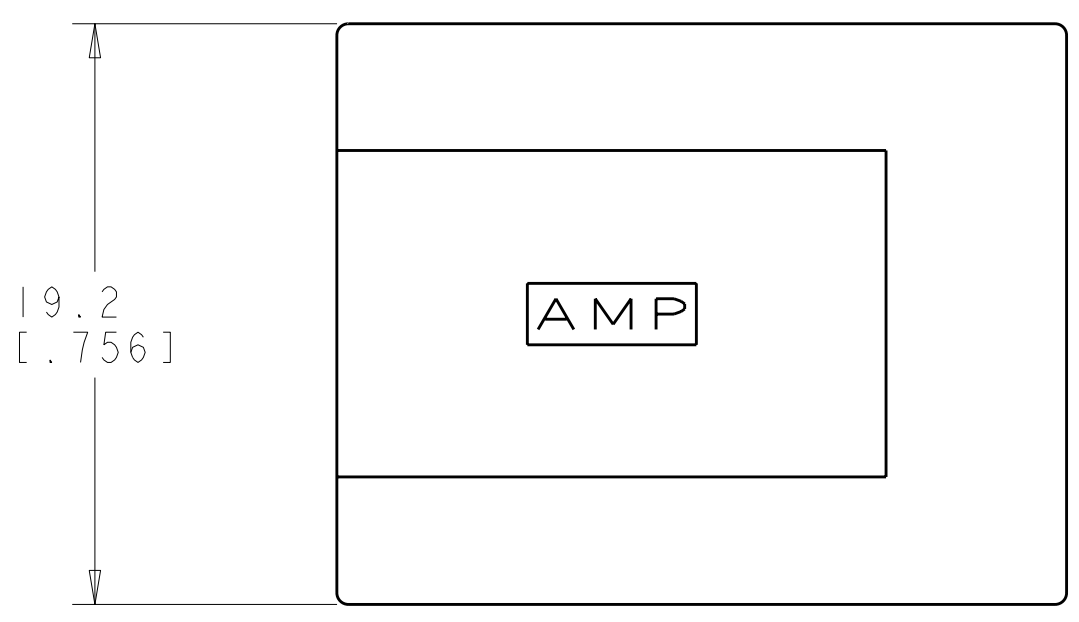
3

2

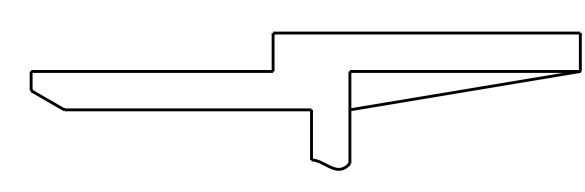
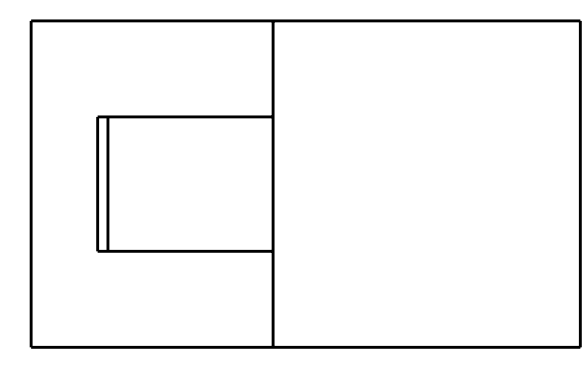
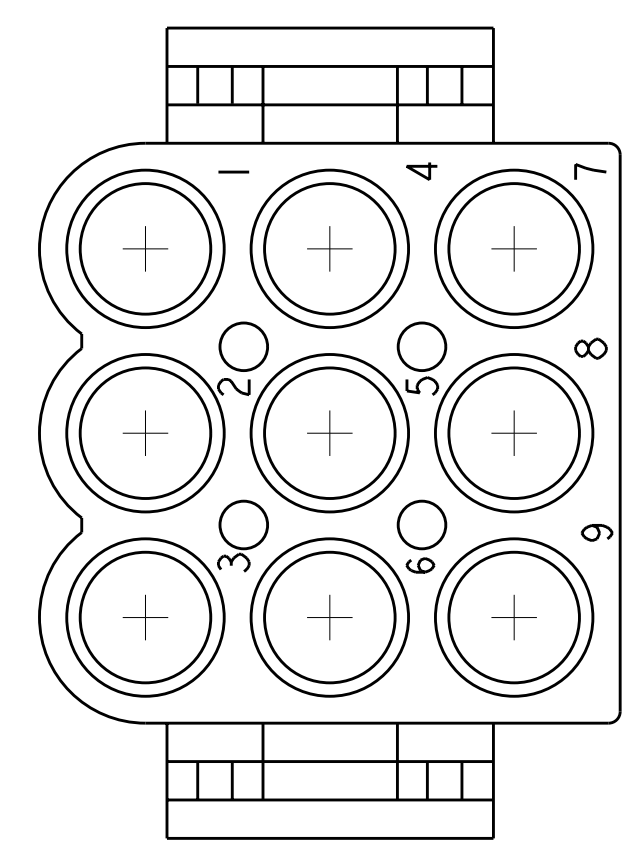
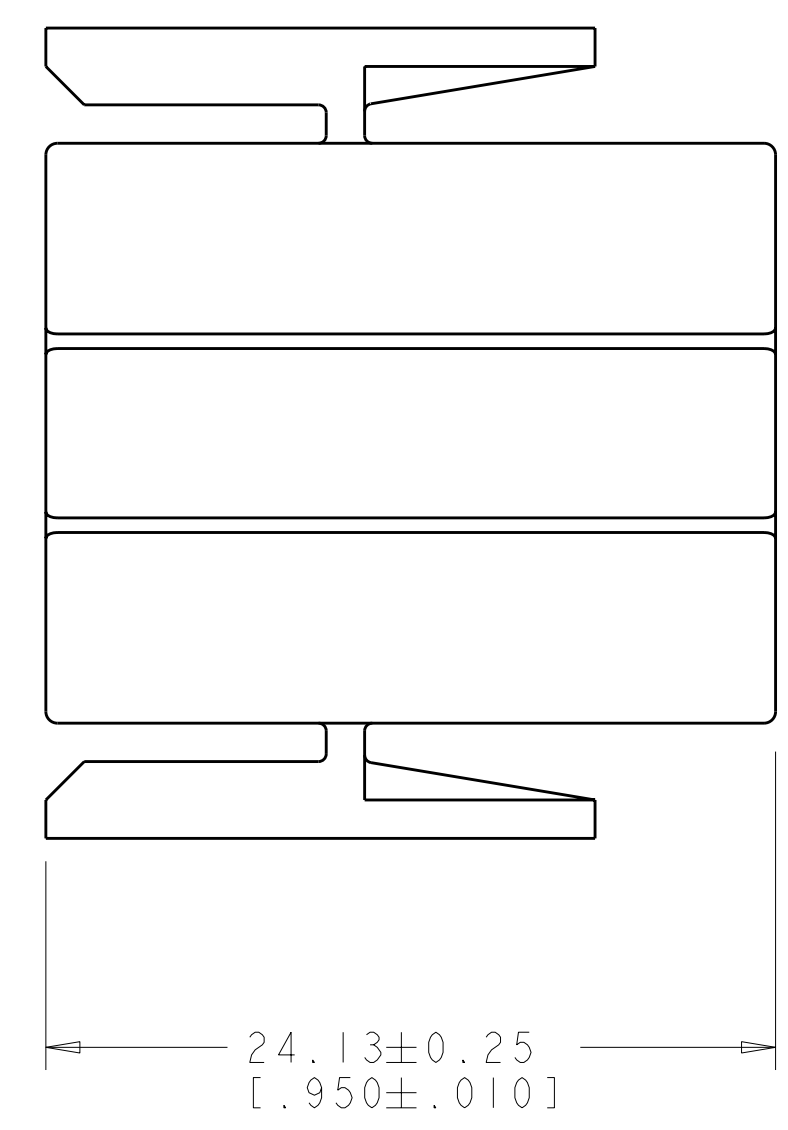
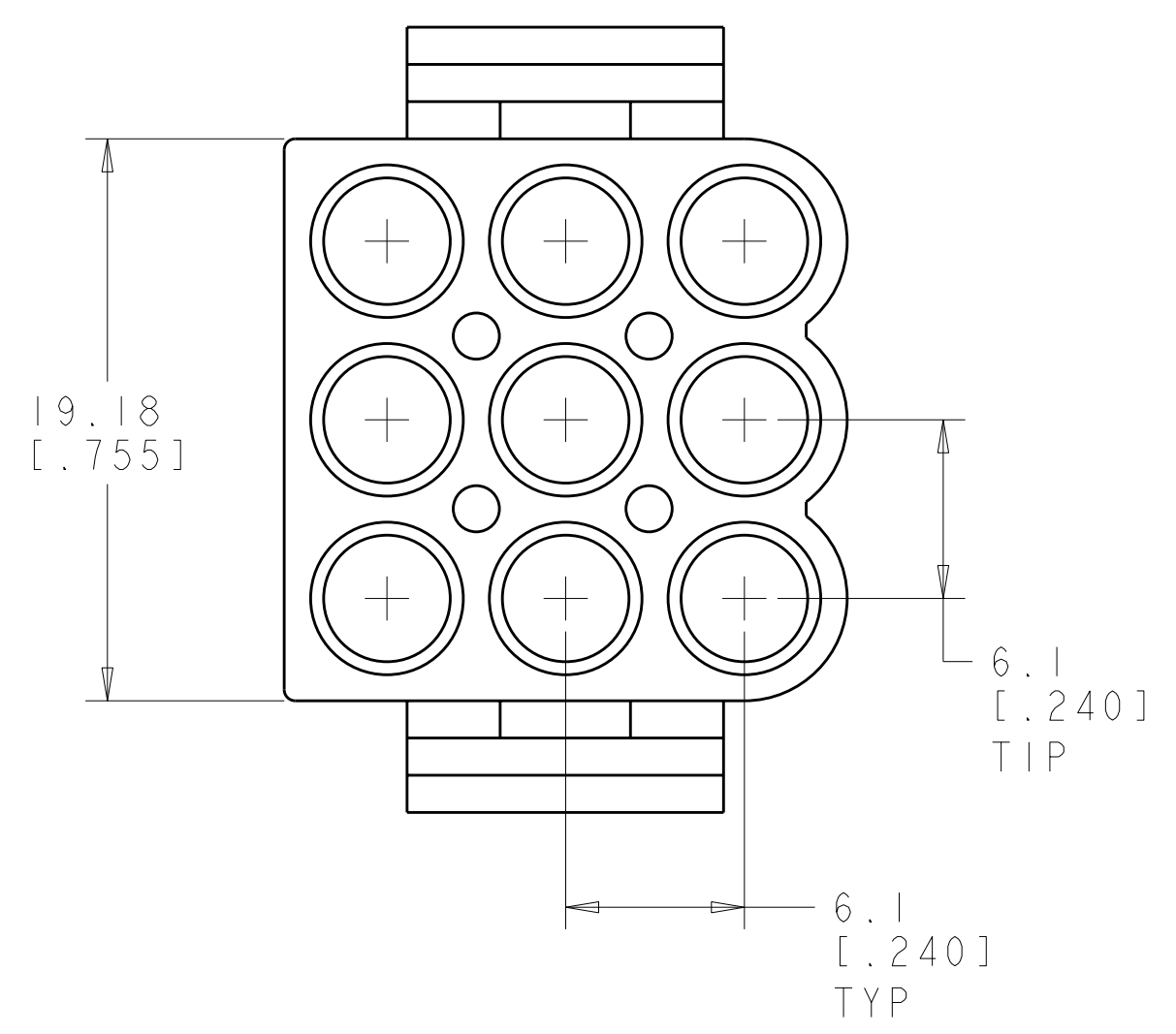
1

THIS DRAWING IS UNPUBLISHED. RELEASED FOR PUBLICATION 20  
 © COPYRIGHT 20 BY TYCO ELECTRONICS CORPORATION. ALL RIGHTS RESERVED.

LOC	DIST	REVISIONS			
P	LTR	DESCRIPTION	DATE	DWN	APVD
CM	00	E	ECO-08-005428	04MAR2008	KW CC



1. USE WITH CAP 480586.
2. ACCEPTS SOCKET 61626.
- 3 MATERIAL: NYLON UL94V-2, NATURAL.



OPTIONAL CONSTRUCTION



0.283 IN <sup>3</sup>	1-480585-0
VOLUME	PART NUMBER

THIS DRAWING IS A CONTROLLED DOCUMENT FOR TYCO ELECTRONICS CORPORATION. IT IS SUBJECT TO CHANGE AND THE CONTROLLING ENGINEERING ORGANIZATION SHOULD BE CONTACTED FOR THE LATEST REVISION.		DWN K. WHITAKER 21JUNE04	Tyco Electronics Harrisburg, PA 17105-3608	
DIMENSIONS: mm [INCHES]		CHK D. COLEY 21JUNE04	NAME PLUG, 9 CIRCUIT, .140 MATE-N-LOK(TM)	
TOLERANCES UNLESS OTHERWISE SPECIFIED: 0 PLC ± 1 PLC ± 2 PLC ±0.13 [0.005] 3 PLC ± 4 PLC ± ANGLES ±0°30' FINISH		APVD D. COLEY 21JUNE04	RESTRICTED TO	
MATERIAL 3		PRODUCT SPEC -	SIZE A200779	DRAWING NO C-480585
CUSTOMER DRAWING		APPLICATION SPEC -	SCALE 4:1	SHEET 1 OF 1 REV E